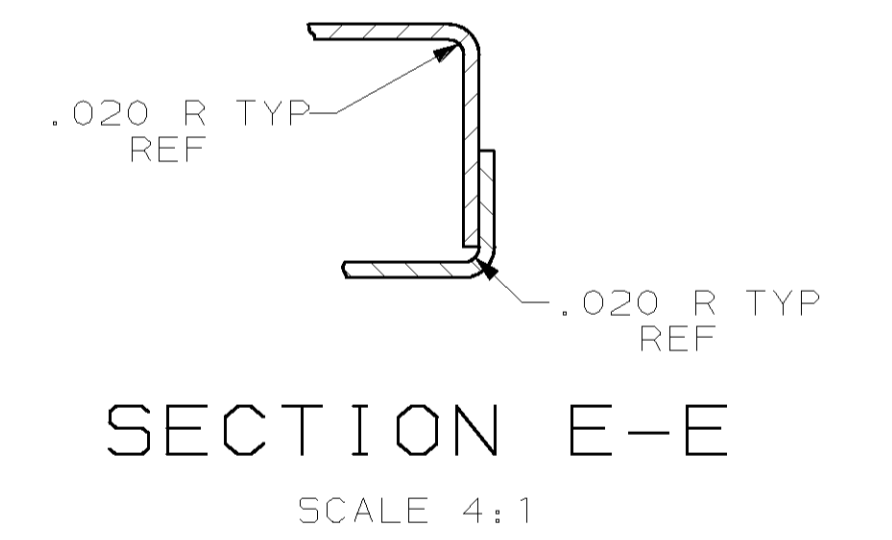
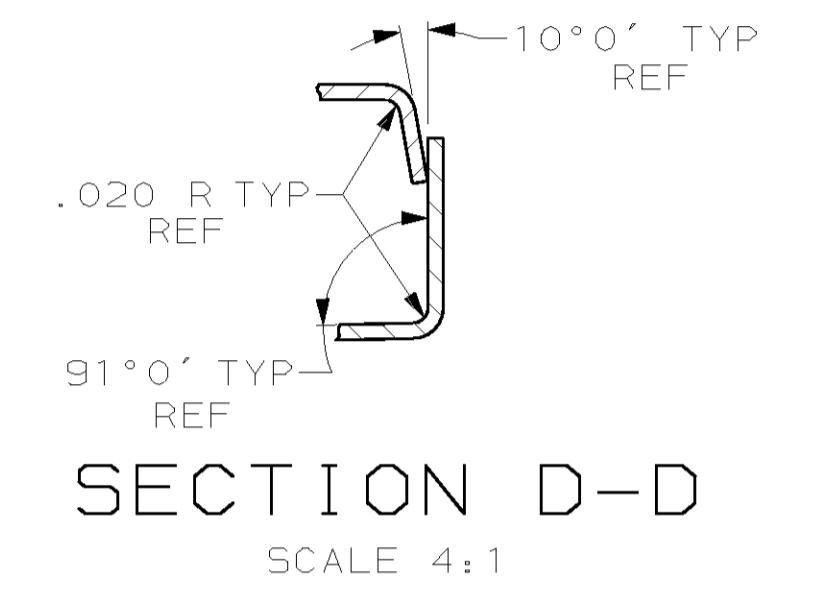
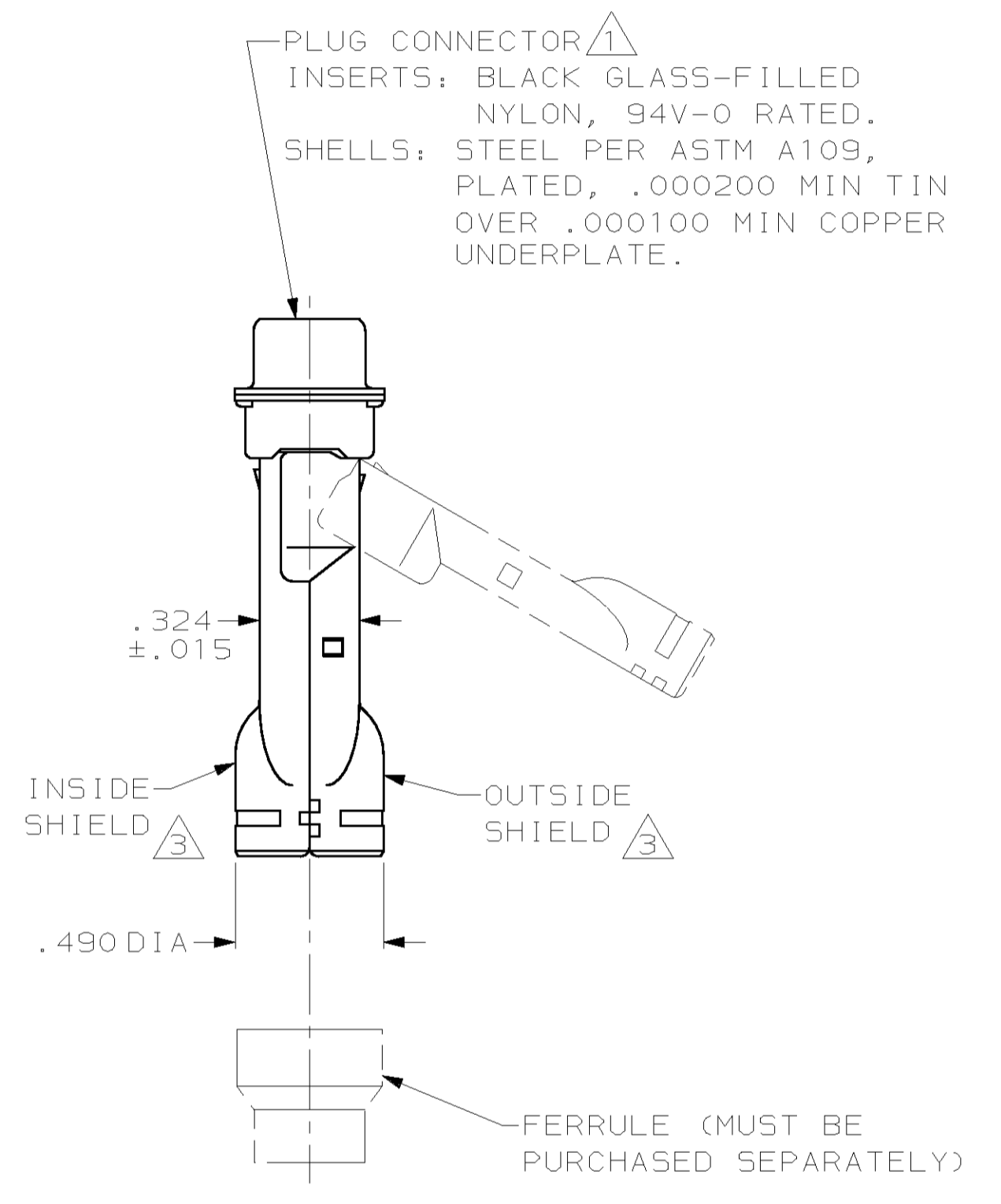
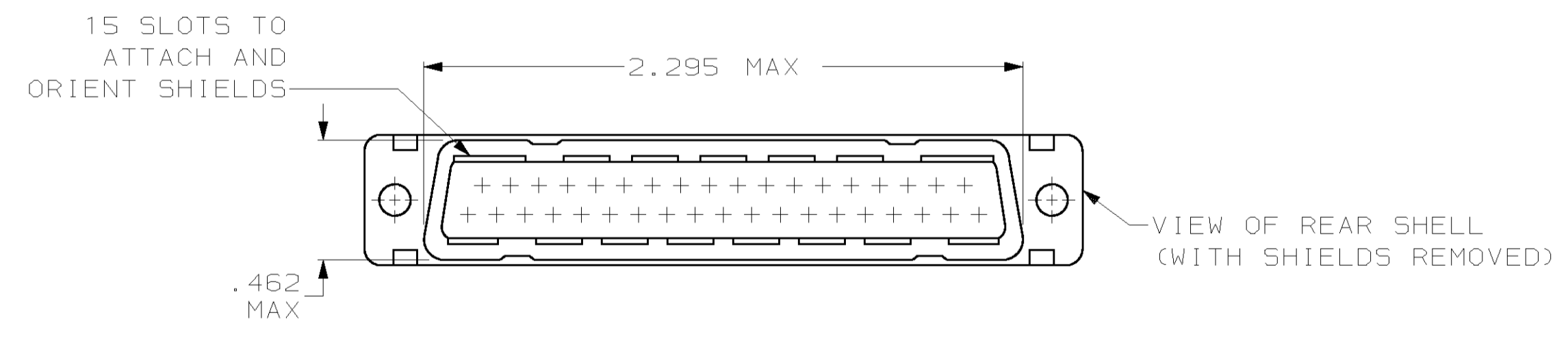
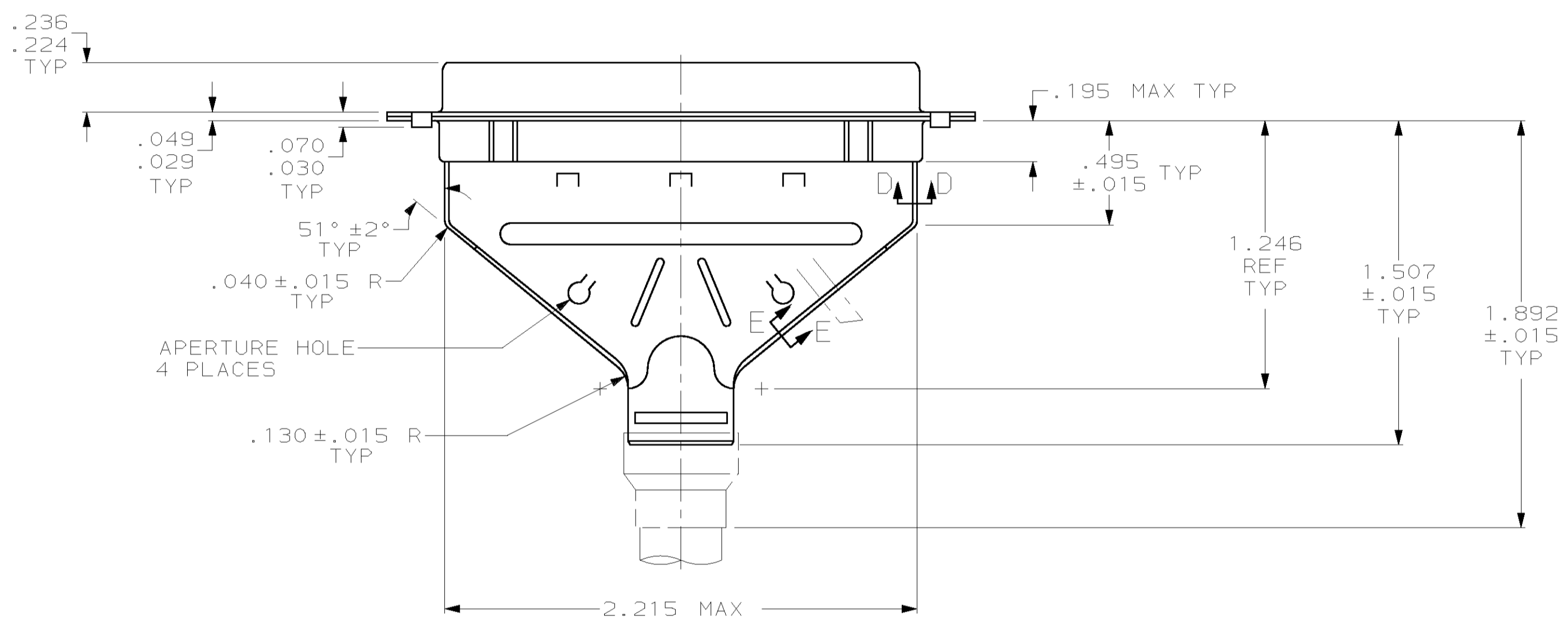
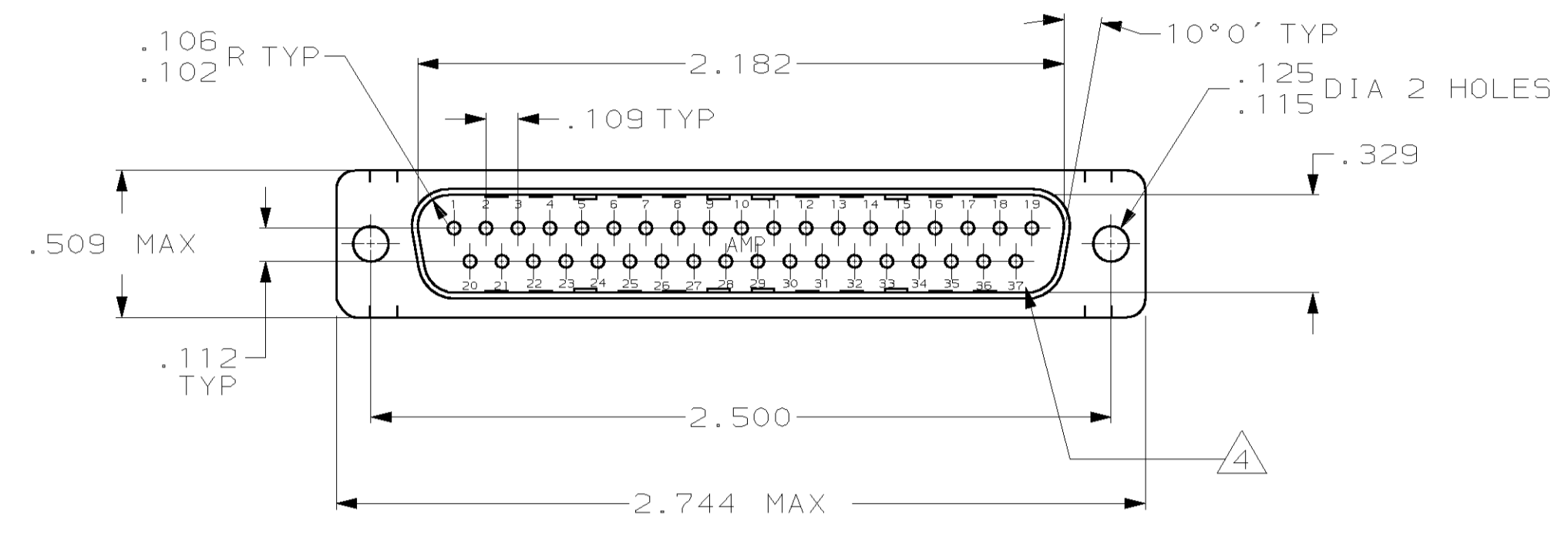


| LOC | | DIST | | REVISIONS | | | |
|-----|----|------|-----|------------------------------|---------|-----|------|
| GP | 00 | TR | LYR | DESCRIPTION | DATE | DWN | APPR |
| | | 0 | | RELEASED PER EC 0513-0196-03 | 31JUL03 | JR | JG |



- 1 PLUG ACCEPTS SIZE 20 PIN CONTACTS (CONTACTS MUST BE ORDERED SEPARATELY).
- 2. ALL PARTS SHIPPED UNASSEMBLED, EACH PART INDIVIDUALLY BULK PACKED.
- 3 SHIELDS: MATERIAL-.020 THICK STEEL, PER ASTM A109, PLATED .000200 MIN TIN OVER .000100 MIN COPPER UNDERPLATE.
- 4 RAISED CAVITY IDENTIFICATION AND AMP TRADEMARK.

1658650-1
PART NUMBER

| | | | | |
|--|--------------------------|---|---|-----------------------------------|
| THIS DRAWING IS A CONTROLLED DOCUMENT. | | DWN J. REITZEL 31JUL03 | AMP Incorporated Harrisburg, PA 17105-3608 | |
| DIMENSIONS: INCH | | CHK S. BOILASH 31JUL03 | AMP M. WALMSLEY 31JUL03 | |
| TOLERANCES UNLESS OTHERWISE SPECIFIED: | | NAME KIT, PLUG, SHIELDING HARDWARE, SIZE 4, 37 POSITION, AMPLIMITE™ HDP-20 | | |
| 0 PLC ±- | 1 PLC ±- | PRODUCT SPEC 108-40030 | | |
| 2 PLC ±-.005 | 3 PLC ±-.005 | APPLICATION SPEC 114-40030 | | |
| 4 PLC ±-.005 | ANGLES 40°-90° | SIZE A1 | CAGE CODE 00779 | DRAWING NO 1658650 |
| MATERIAL SEE CALL OUT 1 | FINISH SEE CALL OUT 2 | WEIGHT - | SCALE 2:1 | RESTRICTED TO CUSTOMER DRAWING |
| | | SHEET 1 | OF 1 | REV 0 |